

Presence detector - Professional Line

IR Quattro HD 24m

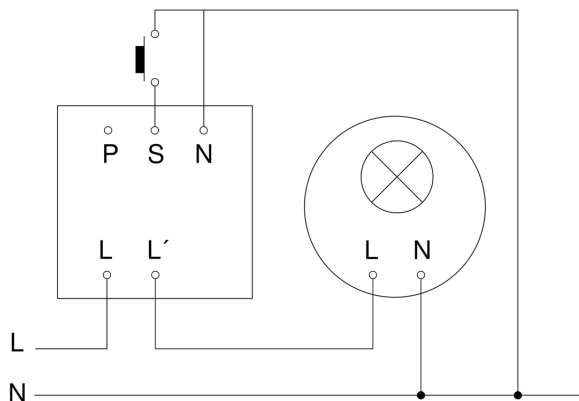
COM1 - concealed white
EAN 4007841 002794
Article number 002794



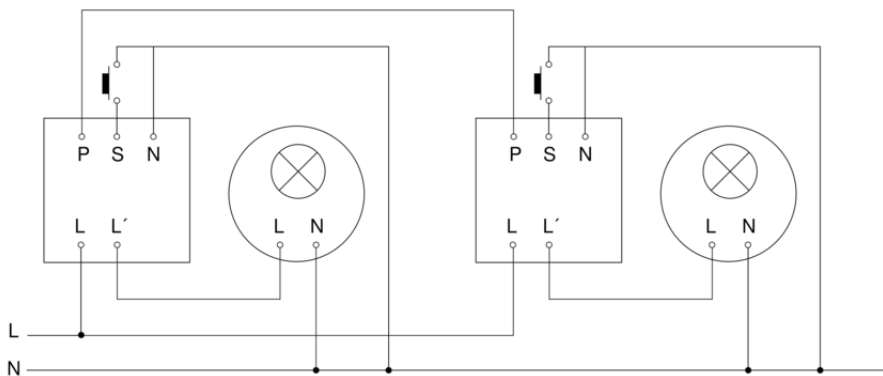
IR Quattro HD 24m

COM1 - concealed white
EAN 4007841 002794
Article number 002794

Master circuit diagram



Master/master interconnection circuit diagram



IR Quattro HD 24m

COM1 - concealed white
EAN 4007841 002794
Article number 002794

Master/slave interconnection circuit diagram

